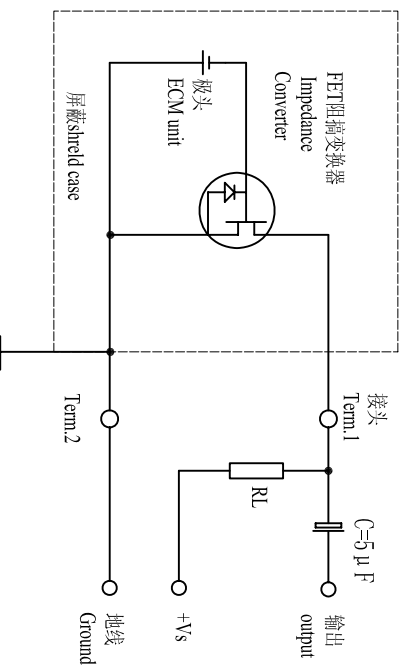


原理图



编号 NO.	项目 Items	规格 Specifications
1	额定电压 Rated Voltage	4.5V
2	工作电压 Operating Voltage	1.5V~10V
3	灵敏度 Sensitivity	-38 ± 2dB at 1KHz(0dB=1V/µ Pa) -58 ± 2dB at 1KHz(0dB=1V/µ bar)
4	消耗电流 Current Consumption	0.5mA Max
5	频率范围 Frequency	100~16,000Hz
6	信噪比 S/N Ratio	≥ 60dB
7	灵敏度减低 Sensitivity Reduction	within-3dB at 1.5V
8	方向性 Directivity	Omnidirectional
9	测试条件 Testing Condition	1000Hz, Vs=4.5V, RL=2.2K Ω
10	壳体材料/颜色 Shell Material/Color	AL/Silver
11	工作温度 Operating Temperature	-25~+55 °C
12	贮存温度 Store Temperature	-25~+55 °C
13	重量 Weight	0.9g

备注  
Note:

△			
△			
△			

NO.	DATE	REVISION	REFERENCE DWG
1			

TOLERANCES UNLESS NOTED OTHERWISE  
 .X ±  
 .XX ±  
 .XXX ±  
 90° FORMED +2°  
 ANGLES -1°



DRAWN		KEPO MODEL NO.		CUSTOMER	
DESIGN		KPCM-97H67-1		CUSTOMER NO.	
CHECKED		DWG NO.		UNIT	
APPROVED		KF3,002,001		SCALE	
DATE		05.10.19		SHEET	
CONTRACT NO.					
AGENCY APPROVAL		KEPO CO., LTD.		TEL: (+86)574-88370330	
				FAX: (+86)574-88370329	